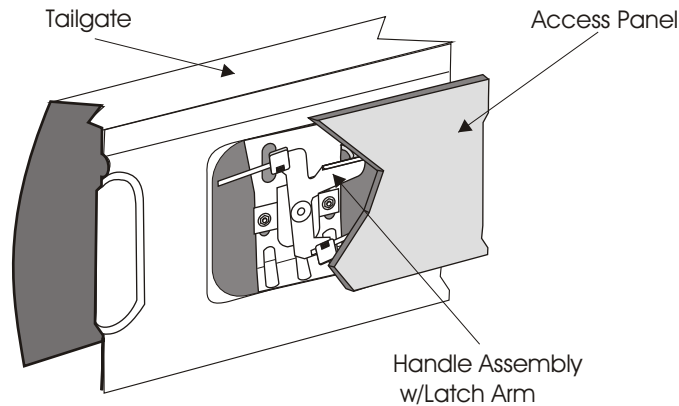
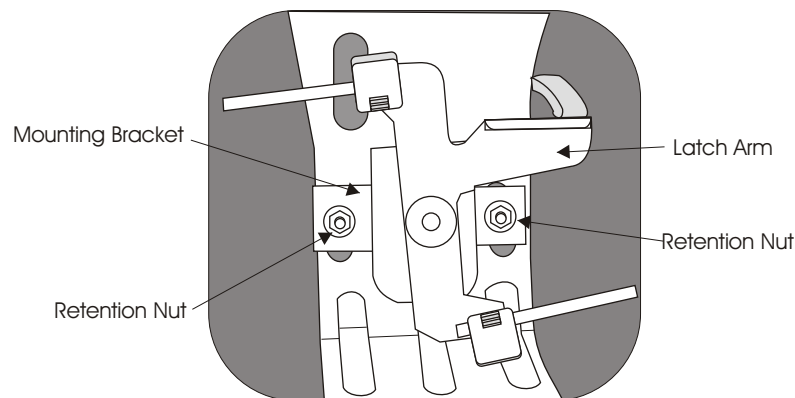


Installation Instructions (special tools needed: T-30/30mm Torque bit, 8mm socket/ratchet) **LH-007**

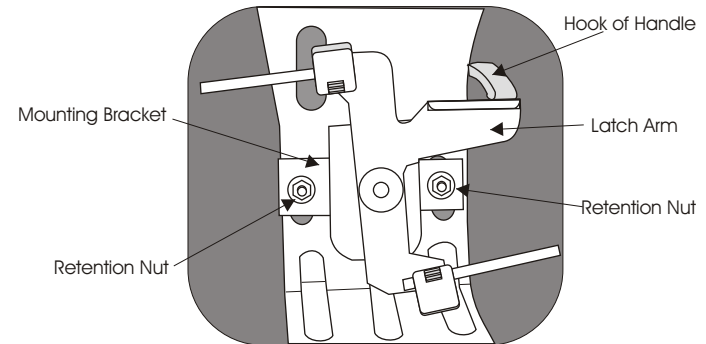
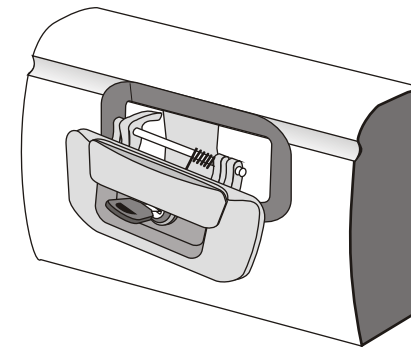
1. To access the tailgate handle assembly, remove the access panel on the inner wall (cargo side) of the tailgate by removing 10 retention screws with a 30mm torque bit/ratchet.



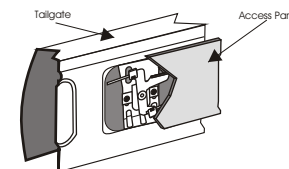
2. To detach the original handle from the tailgate, remove 2 retention nuts inside the panel with an 8mm socket. Pull the handle up and out to remove it.



3. Install the new BULLY tailgate lock handle in the following way:
Insert the two legs of the handle first (one of them has a large hook). Align the two bolts with the holes on the mounting bracket. Place the large hook on the top of the latch arm and attach the 8mm nuts. Adjust the handle's position so the hook will gently touch the latch arm. Then tighten the nuts firmly. Apply the key to lock/unlock the Bully handle.
Always keep the keys in a safe place.



4. Reinstall the access panel.



NOTE: TAILGATE DOOR MUST BE IN CLOSED POSITION TO INSTALL TAILGATE LOCK.