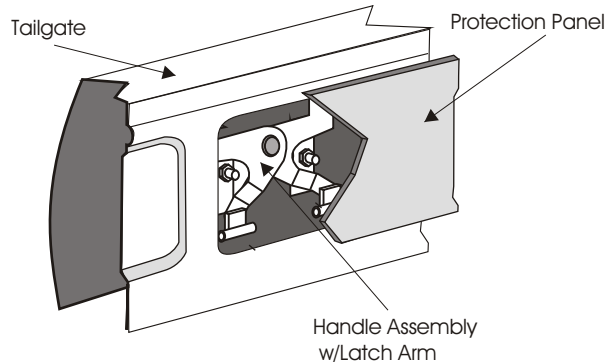


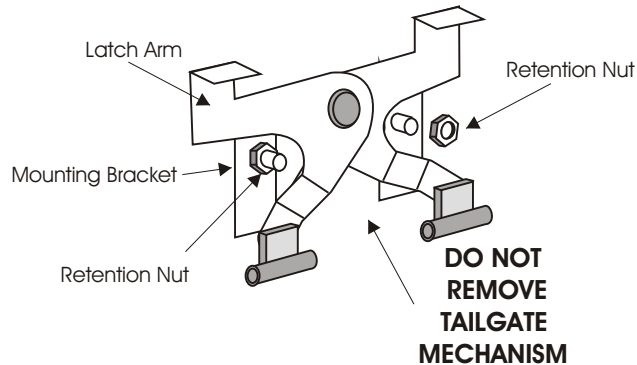
Installation Instructions (special tool needed: T-30/30mm Torque bit, 10mm socket/ratchet)

LH-004

1. To access the tailgate handle assembly, remove the protection panel on inner wall (cargo side) of the tailgate by removing 12 retention screws with a 30mm torque bit/ratchet.



2. To detach the original handle from the tailgate, remove 2 retention nuts inside the panel with a 10mm socket, pull the handle up and outward to remove it.



3. Install the new BULLY lock handle in a reverse order of detaching the old handle. Insert the two big hooks first and pass the mounting bolts through the wall. Align the bolts with the two holes on the latch arm bracket. Attach the 10mm nuts, making sure the tip of the hooks are positioned on the top of the latch arms, then tighten the nuts firmly. Push the handle all the way against the wall and turn the key to lock it. **Always lock your tailgate and keep the key in a safe place.**

